

Receiver

From

Company  
Reference  
Address  
Phone  
Fax  
E-mail

**Item n° :** Customer pos. no.:

102670000

**Model :**

JETCOM 62 M

**Pump data**

Pressure rating : 6 bar  
Min. fluid temperature : 0 °C  
Max. fluid temperature : 35 °C  
Max. Ambient temperature : 40 °C

**Priming capacity :**

H / m	2	3	4	5	6	7	8	9
Q / l/min	41	38	34	31	27	22	19	13

**Requested data**

Flow:  
Head:  
Fluid : Water  
Fluid Temperature : 20 °C  
Density : 998,3 kg/m³  
Kinematic viscosity : 1,005 mm²/s  
Vapor pressure : 0,02 bar

**Hydraulic data (duty point)**

Flow:  
Head:

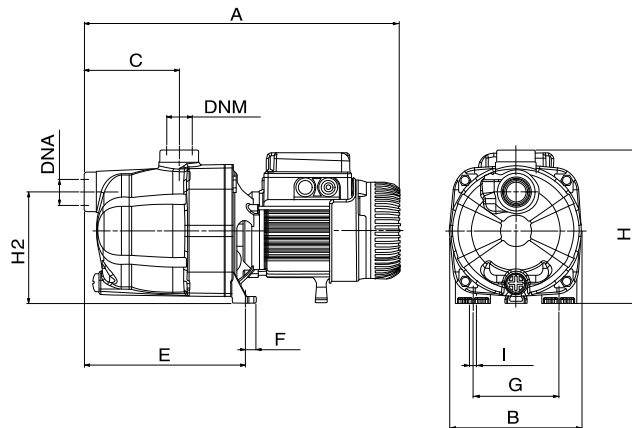
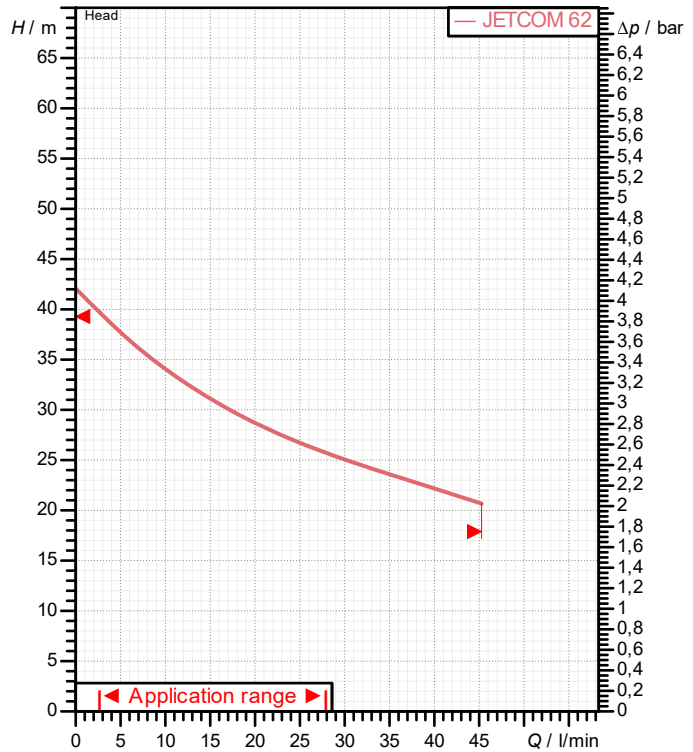
**Materials**

Pump body : Technopolymer A  
Disc seal : AISI 304 X5 Cr Ni 1810 UNI 6900/71  
Impeller : Technopolymer A  
Mechanical seal : Carbon/Ceramic  
O-Ring : NBR Rubber  
Shaft with rotor : AISI 416 X12 CrS 13 UNI 6900/71  
Nozzle venturi diffuser assembly : Technopolymer A

**Motor data**

Motor brand : DAB  
Nominal power P2 : 0,44 kW  
Rated speed : 2.850 rpm  
Rated voltage : 1~ 220-240 V 50 Hz  
Nominal current : 3,12 A  
Degree of protection : IP 44

**Curve tolerance according to ISO 9906**



**Dimensions in mm**

A	406	DNM	1" G	H	198		
B	170	E	208	H2	144		
C	122	F	14	I Ø	9		
DNA	1" G	G	111				

**Weight :** 7,5 kg

**Pump connection**

Suction side : 1" G / 6 bar  
Discharge side : 1" G / 6 bar



# PERFORMANCE CURVES

2025-03-05

Page 2 / 3

DAB PUMPS S.p.A.  
Via Marco Polo, 14 - 35035 Mestrino (PD), Italy  
Tel. +39 049 5125000 - Fax +39 049 5125950  
www.dabpumps.com

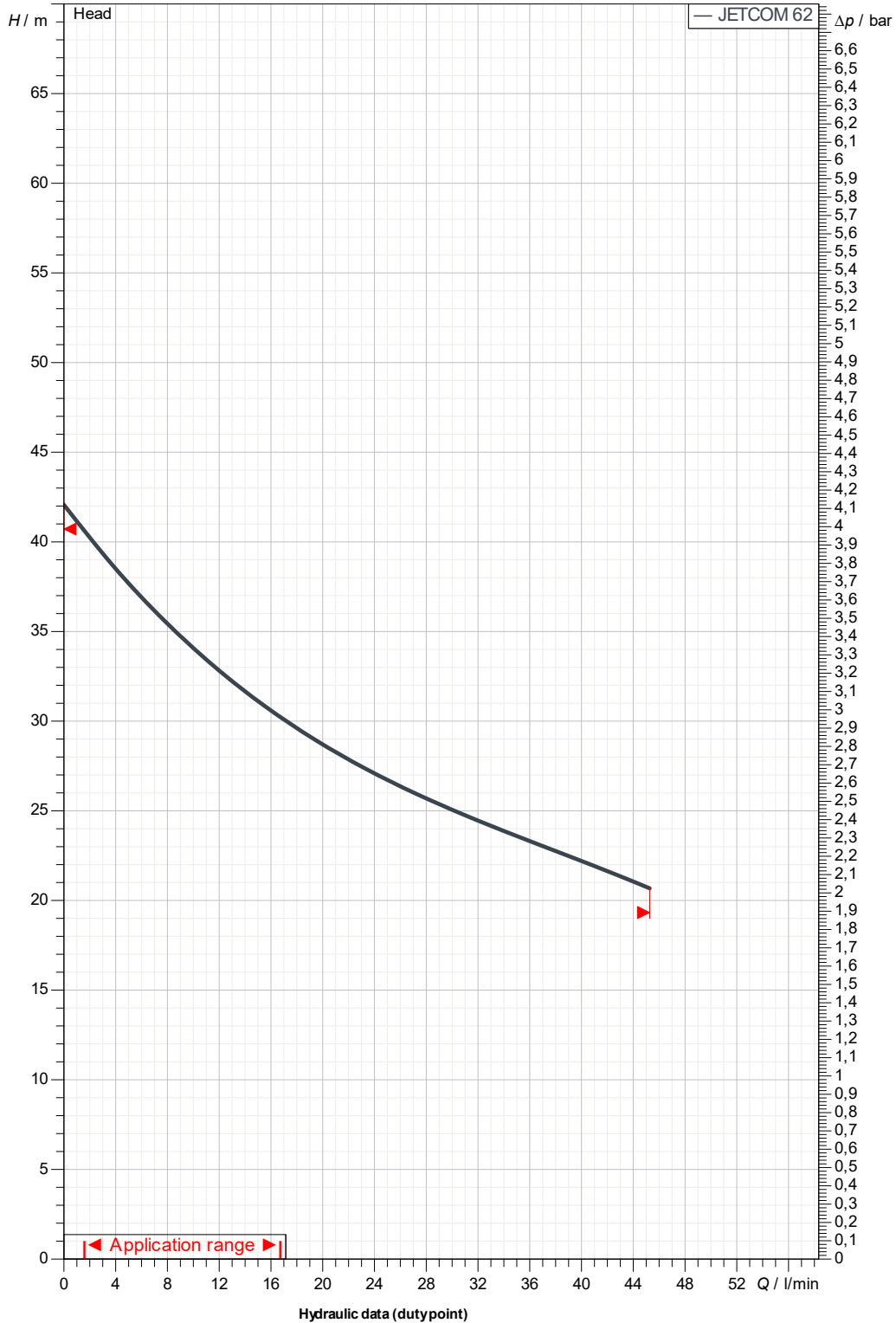
Receiver

From

Company  
Reference  
Address  
Phone  
Fax  
E-mail

## JETCOM 62 M

Curve tolerance according to ISO 9906



Suction side :  
1" G  
6 bar

Discharge side :  
1" G  
6 bar

Flow :

Head :

Rated speed :  
2.850 rpm

Project

Project ID

Created by

Created on

2025-03-05



# DIMENSIONAL DRAWING

2025-03-05

Page 3 / 3

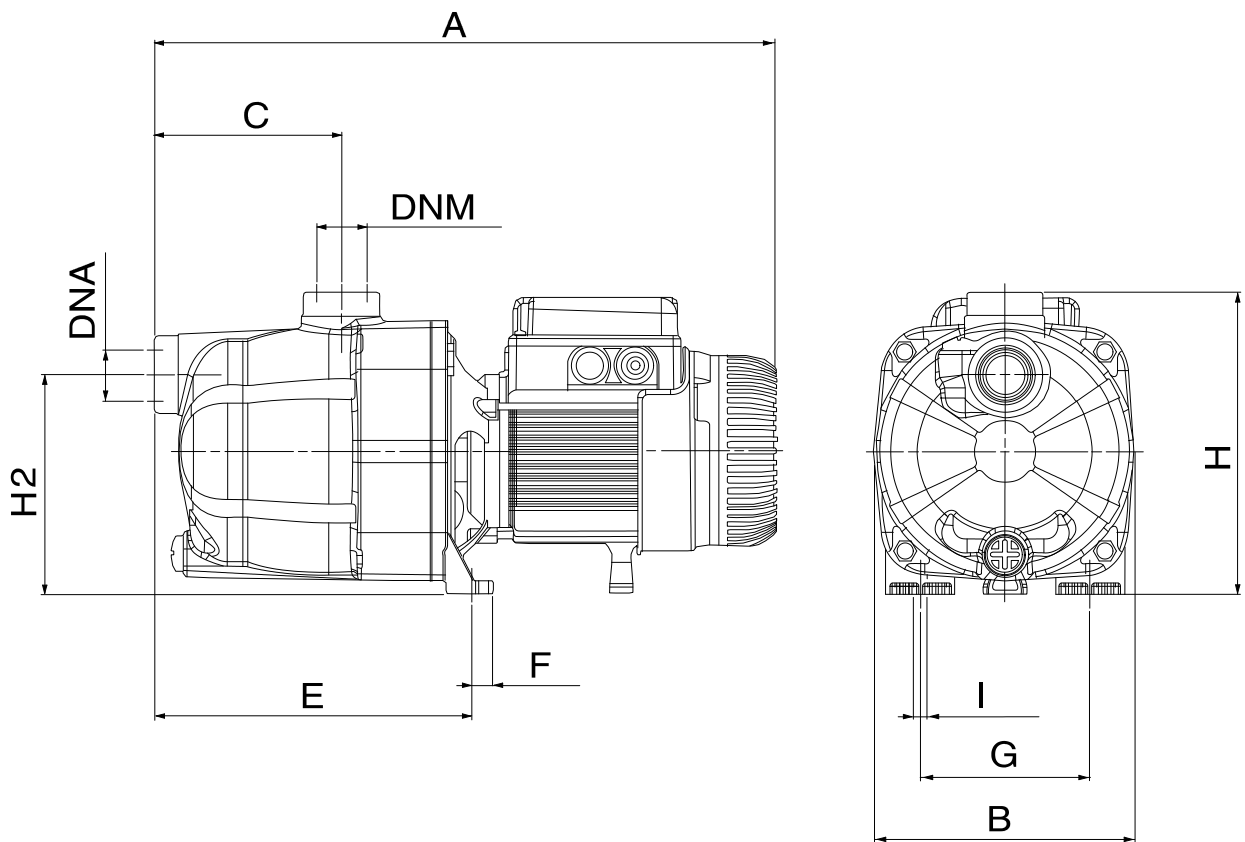
DAB PUMPS S.p.A.  
Via Marco Polo, 14 - 35035 Mestrino (PD), Italy  
Tel. +39 049 5125000 - Fax +39 049 5125950  
www.dabpumps.com

Receiver

From

Company  
Reference  
Address  
Phone  
Fax  
E-mail

## JETCOM 62 M



**Dimensions in mm**

**Pump connection**

1	A	406					
2	B	170					Suction
3	C	122					1" G
4	DNA	1" G					6 bar
5	DNM	1" G					
6	E	208					Discharge
7	F	14					1" G
8	G	111					6 bar
9	H	198					
10	H2	144					
11	I Ø	9					

Project	Project ID	Created by	Created on <b>2025-03-05</b>
---------	------------	------------	---------------------------------